

DRRU-R3281D28

ORAN Remote Radio Unit



- The DRRU-R3281D28 is an outdoor remote radio unit. It is the radio frequency (RF) part of a distributed base station and can be located near antennas.
- Adopting an innovative design, DRRU-R3281D28 is able to work in 4 TX and 4 RX mode and therefore supports higher output power and larger carrier capacity.



Electrical Data

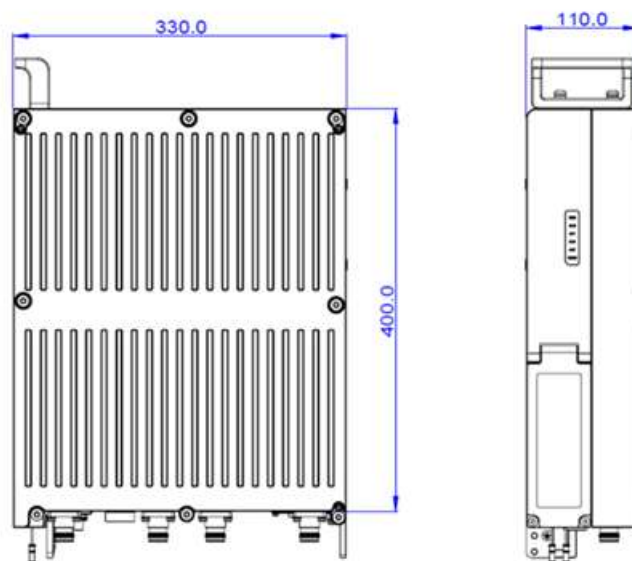
		Uplink	Downlink
Frequency	B28/N28 (4T4R)	703- 748 MHz	758 - 803 MHz
Instantaneous bandwidth		45 MHz	
Operation bandwidth		20 MHz	
Mode		LTE	
Carrier number		1CC	
Carrier bandwidth		5 MHz, 10 MHz, 15MHz, 20MHz	
RF Output Power		4x40W	
Power supply		-48V DC(-36V~-57V)	
Fronthaul Ethernet Link		Cpri 10Gbps	
Quantity of SFP ports for Front Haul		2 (No support for cascading)	
Data rate of Front Haul		Max.9.8304Gbps	
Noise Figure(typical)		<2.5dB	
Power Consumption		201W@10% load;268W@30% load;301W@50% load;478W@100% load	
AISG (RET)		AISG2.0	
3GPP Compliant		3GPP TS36.104, TS36.141, TS38.104, TS38.141	
MIMO		1*4T4R/2*2T2R(4-Pot (Split- Mode) for 2 sectors RRU/RRH with 2-Port	
Synchronization		CDR (Clock Date Recovery) No support for RF GPS (PTP IEEE 1588)	

Environmental Data

Operating temperature	-40°C to +55°C (without solar radiation) , -40°C to +50°C (with solar radiation)
Relative humidity	5% RH to 100% RH
Absolute humidity	1 g/m3 to 30 g/m3
Atmospheric pressure	70 kPa to 106 kPa
Shockproof protection	NEBS GR63 zone4
Ingress Protection (IP) rating	IP65

Mechanical Data

Size	400x330x110(mm)
Volume	14.5L
Weight	16kg
RF connectors	4x4.3-10 Female



While the information has been carefully compiled to the best of our knowledge, nothing is intended as representation or warranty on our part and no statement herein shall be construed as recommendation to infringe existing patents. In the effort to improve our products, we reserve the right to make changes judged to be necessary.